

AGS

ARCHITECTURAL GLAZING SYSTEMS

900 Series | High Performance Sliding Door



Performance with style

When you choose the 900 Series High Performance Sliding Door you'll experience the ultimate in high performance weathering, low air infiltration, commercial strength and unique AGS advanced tracking system. Tested to AS2047 and utilising Capral ecometal™ the 900 Series sliding door has been engineered to suit Australia's harsh conditions making it one of the highest performing doors on the market.

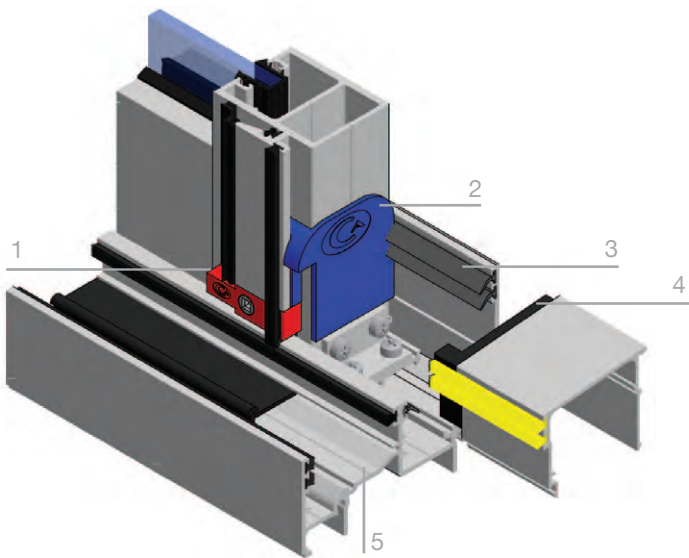
Developed for high rise apartments and prestige residential projects, the 900 Series sliding door offers a wide range of configurations with a stackable head, sill, and jamb allowing multiple sashes to be used.

It can be coupled to the Capral 400 Narrowline framing system allowing you to experience a flawless site line with a sleek modern look through its innovative styling.

The 900 Series sliding door is a superior choice for living areas that seek to maximise the use of available space whilst capturing panoramic views.

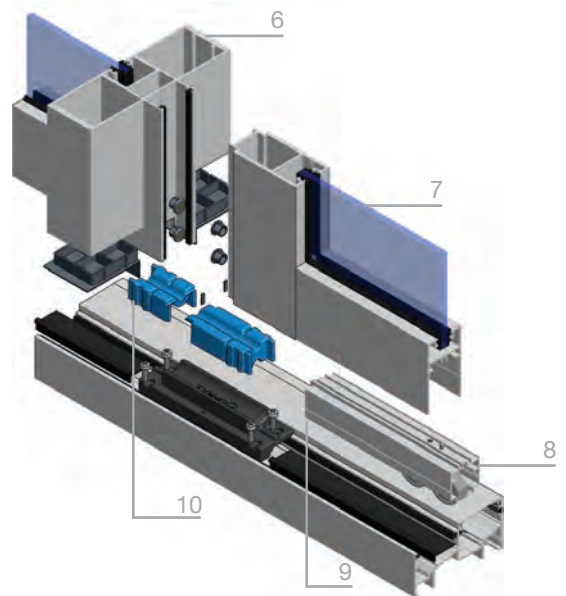
When installed, the 900 Series can be used to create the illusion of greater space and natural light, with the range of glazing options to help keep your room cool in summer and warm in winter.

CAPRAL



1. Anti-lift block
2. High-pressure threshold caps
3. Co-extruded santoprene fin seals
4. High-pressure threshold caps
5. Sill-standard and high performance options

* Components are coloured for indication only



6. Range of stiles & interlocks to meet performance requirements
7. Single or double glazed
8. Various hardware options
9. Super clean lines minimise dust and dirt
10. Interlocking components for increased performance (patent pending)

Superior features and high class design



- Internal security/fly screen options
- Compatible with Capral Commercial framing systems
- Supports glass thickness from 4mm single glazed through to 26mm double glazed
- Double-bogey ball bearing rollers support up to 240kg panel weights
- Various lock options including surface mounted locks and mortice-style deadlocks
- Designed for superior energy performance

Product Specifications

- Serviceability Wind Pressure: Up to 6000 Pa*
- Ultimate Wind Pressure: Up to 7700 Pa*
- Water Penetration Resistance: Up to 700 Pa*
- Maximum Panel Height: 3000mm
- Maximum Panel Width: 1500mm
- Maximum Panel Weight: 240kg Heavy Duty only
- Acoustic Rating: Up to 34 STC and 34 RW (-1 ; -4)

* Dependant on size, configuration, sill & stile type
(Refer to your account manager or AGS technical manual)

Contact your local AGS fabricator for further details.

